

# Installation Instructions

I - Sheet Number INS-HS62 Rev.E



## Hood Shield

For proper installation and best possible fit, please read all instructions **BEFORE** you begin.  
For technical assistance or to obtain missing parts, please call Customer Relations at 1-800-344-8759.

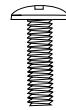
### Important Safety Information

- ⚠️ • CAUTION - Before driving, ensure that the hood shield is properly anchored to vehicle.
- Do not use automatic "brush-style" car washes.
- Do not use cleaning solvents of any kind.
- Periodically check all components for tightness.

**Contents** NOTE: Actual product may vary from illustration.



Hood shield



Screw x4



Well Nut x4



Bump On x4

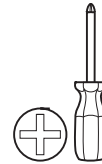
### Tools Required



Car Wash Supplies



Clean Towel



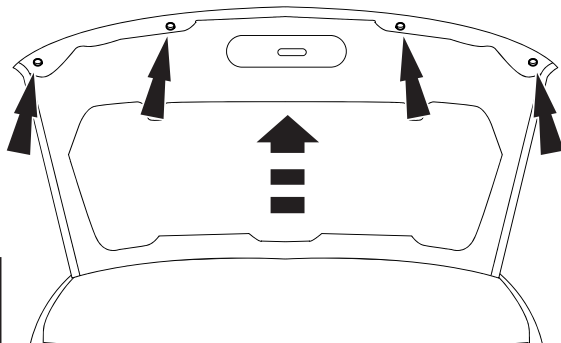
Phillips head screwdriver

### Preparation Before Painting / Installation

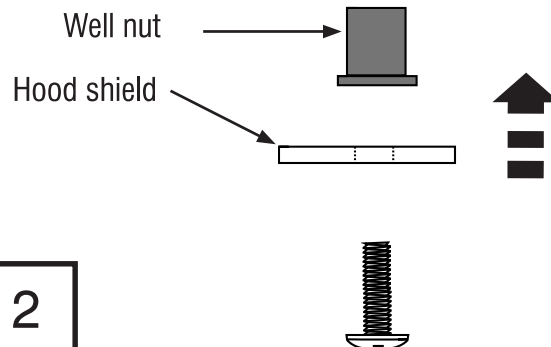
- A trial fit is recommended to ensure proper positioning and fit.
- Check fit of parts before painting as we will not accept the return of modified or painted parts.
- Wash your vehicle's hood to remove any debris and/or dirt.
- Dry the hood with a clean towel.

**Installation Steps** NOTE: Actual application may vary slightly from illustrations.

Open Hood. Locate (4) circular holes on the underside of hood. Clean the area around these with a soft cloth.



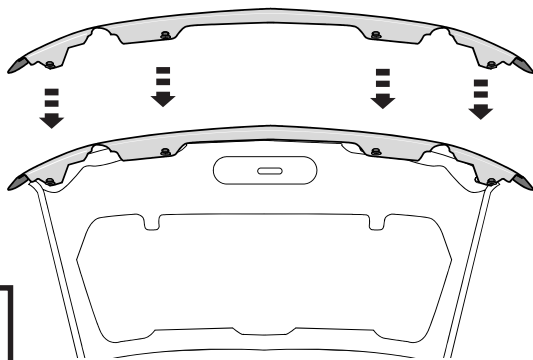
Attach fasteners to hoodshield by inserting screw through hood shield, and into well nut. **Partially** thread screw into well nut.



# Installation Steps

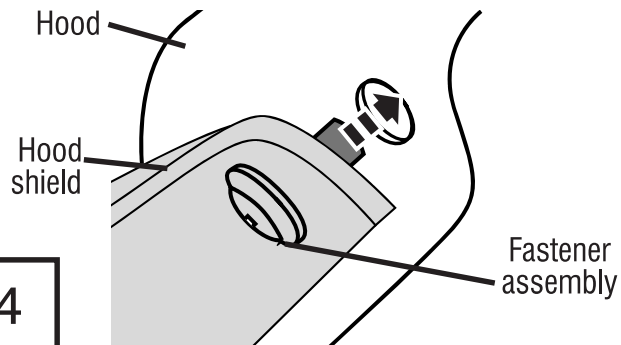
**NOTE:** Actual application may vary slightly from illustrations.

Center part on front edge of hood and align holes.

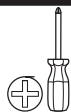


3

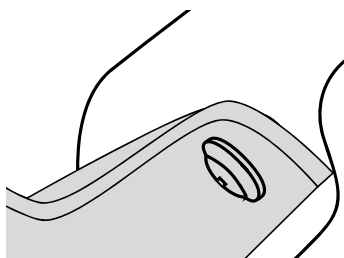
**NOTE:** Observe the alignment from the side view in order to guide the hood shield with its attached fastener into the proper hole in the hood.



4



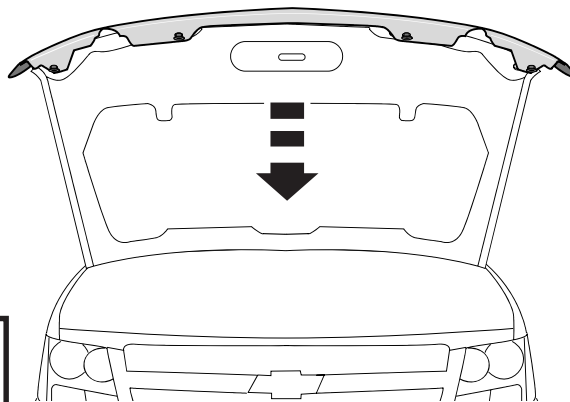
With the fastener assembly inserted into hole in hood, secure hood shield to hood by tightening screw to expand well nut. Repeat for remaining fasteners.



5

**NOTE:** DO NOT OVER TIGHTEN

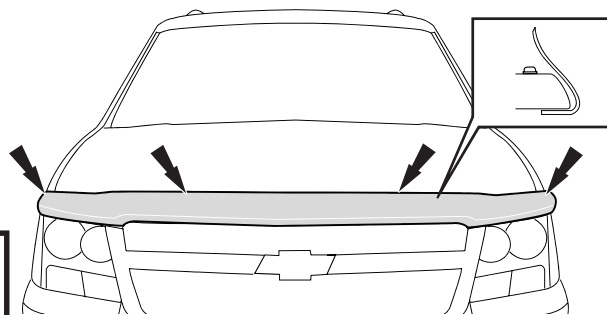
Close Hood.



6



Apply bump ons to surface of hood.



7

## Care and Cleaning

- Wash only with mild soap & dry with a clean cloth.



The material that your product is made from can be recycled. Please also consider recycling the packaging that your product came in.



## Congratulations!

You have purchased one of the many quality Husky® branded products. We take the utmost pride in our products and want you to enjoy years of satisfaction from your investment. We have made every effort to ensure that your product is top quality in terms of fit, durability, finish and ease of installation.



1-800-344-8759 • Visit us at [huskyliners.com](http://huskyliners.com)

© 2024 Husky Liners, Inc. All rights reserved.

Husky® and the Husky® logo are trademarks of Husky Liners, Inc.